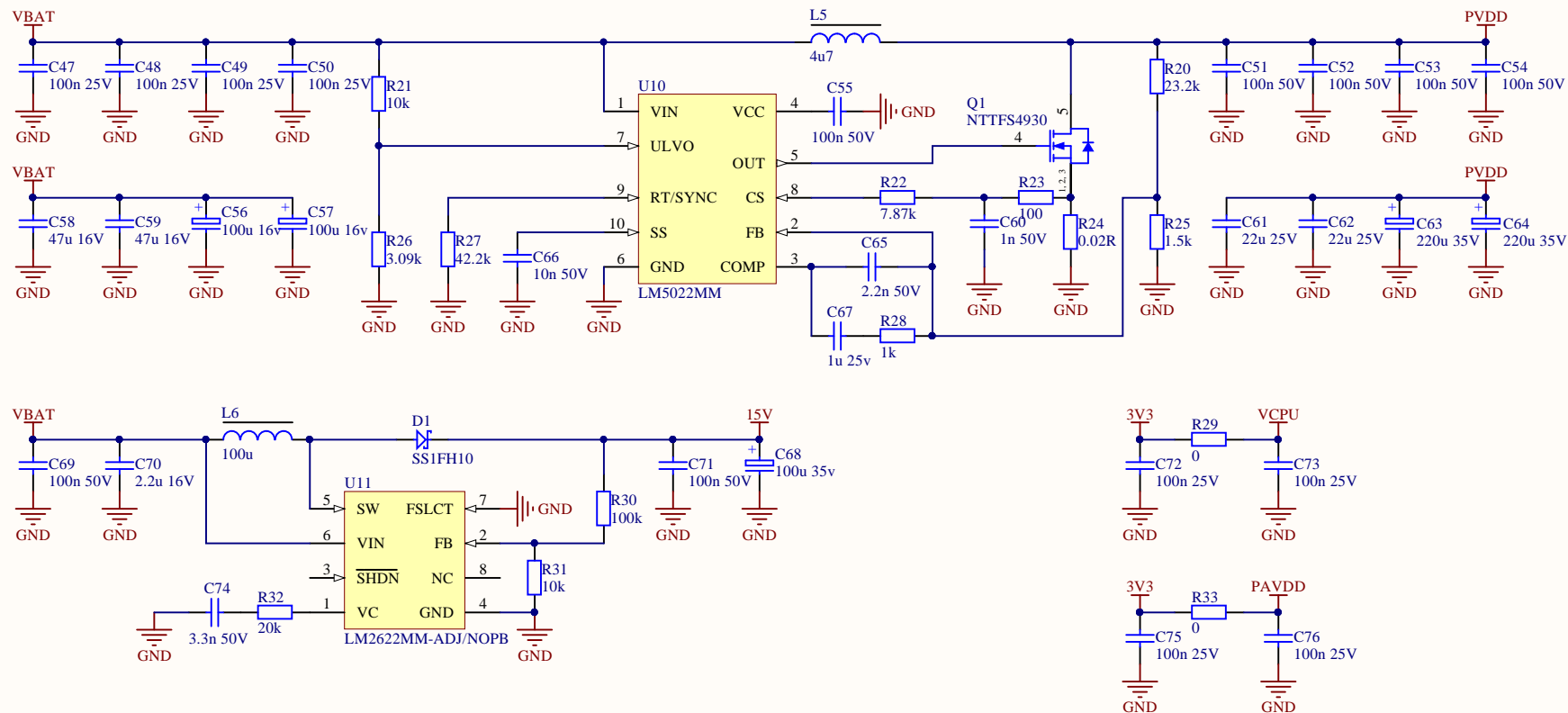
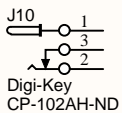


Title		
Size A4	Number	Revision
Date:	29.11.2016	Sheet of
File:	D:\Altium\Jammer\main.SchDoc	Drawn By:



Title **Power**

Size: A4

Number:

Revision: V1.0

Date: 29.11.2016

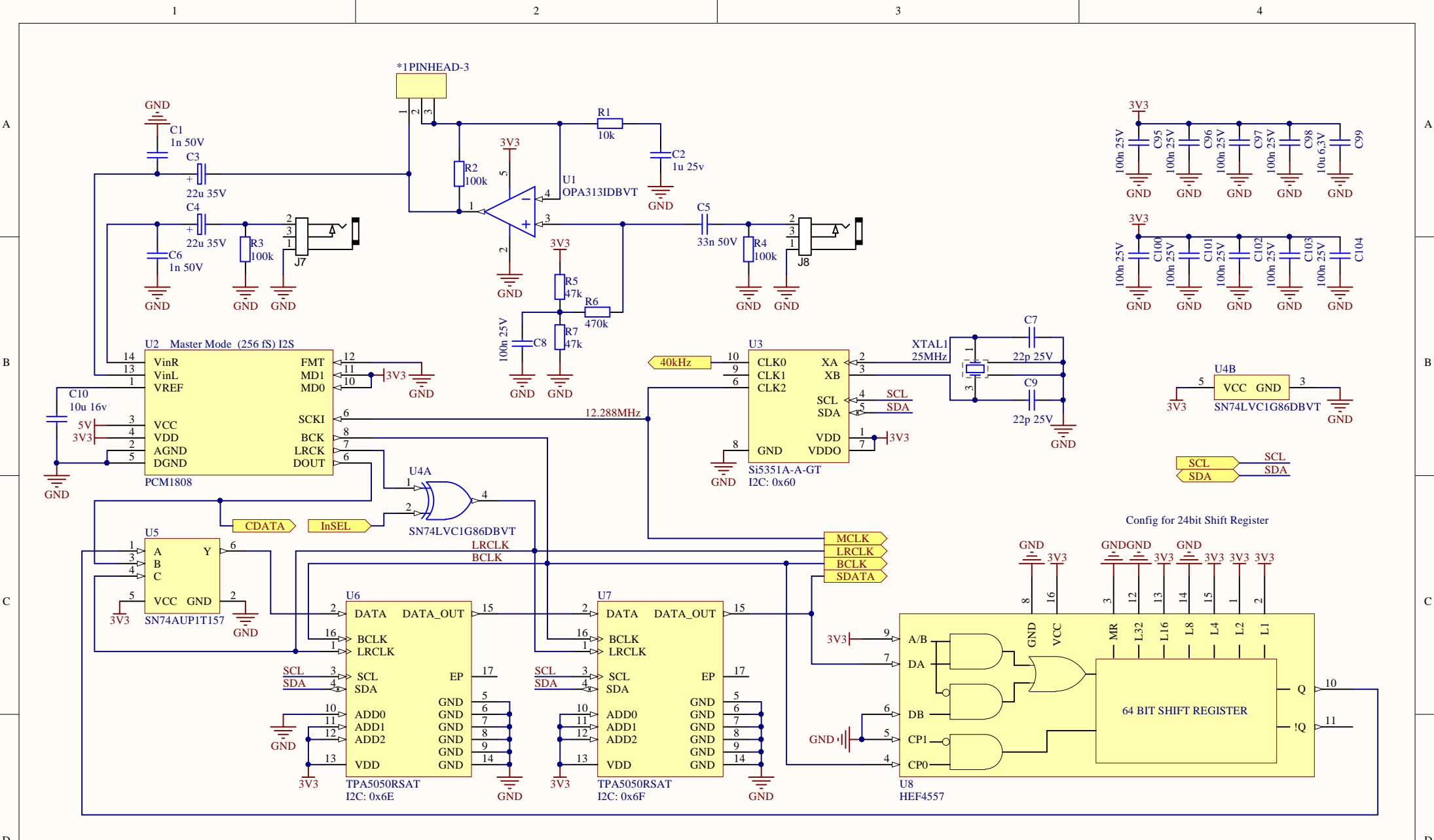
Time: 02:48:18

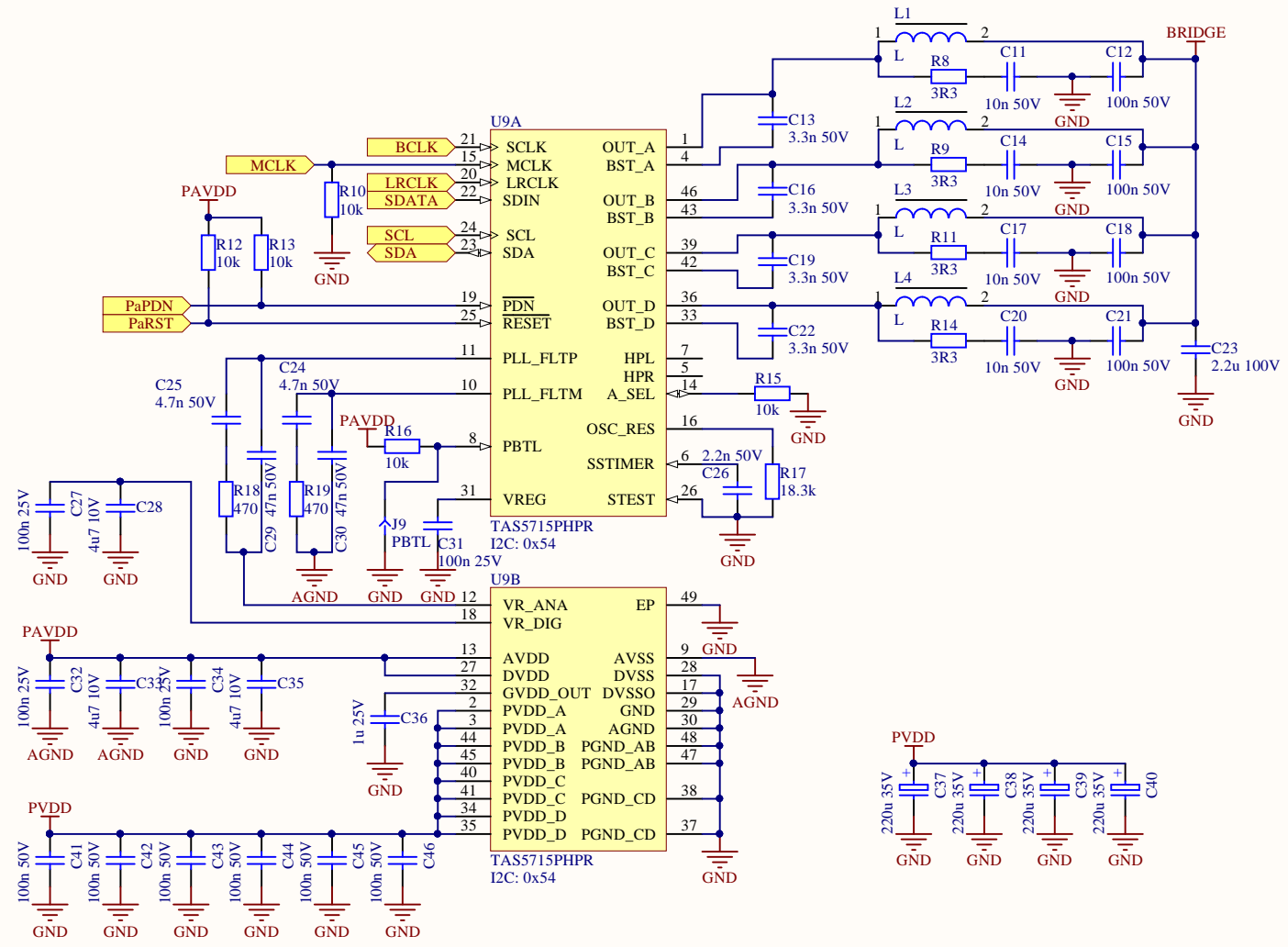
Sheet 1 of 5

Niklas Fauth

File: D:\Altium\Jammer\power.SchDoc



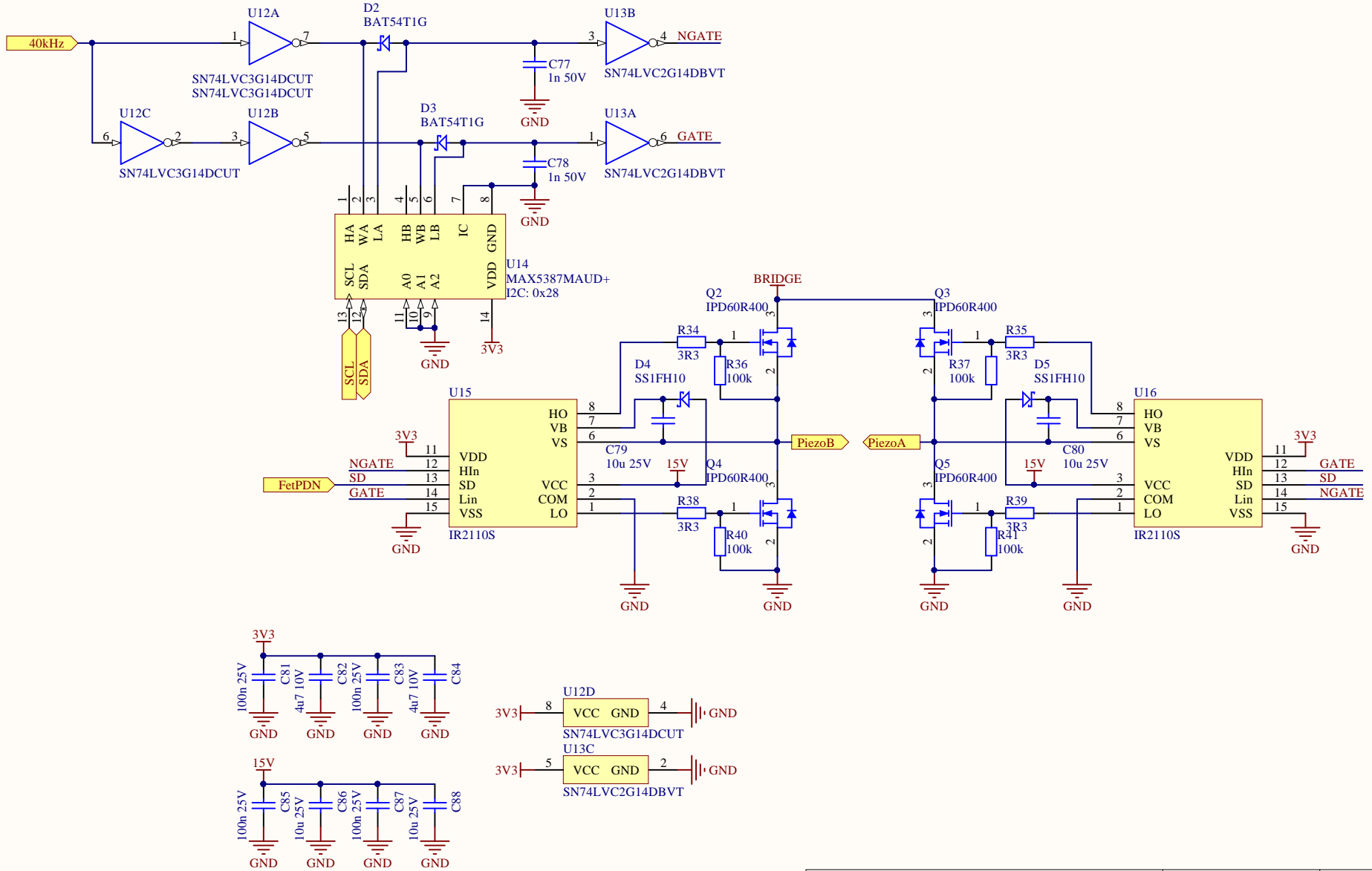




Title Class D DC/DC			
Size: A4	Number:	Revision: V1.0	
Date: 29.11.2016	Time: 02:48:21	Sheet 3 of 5	

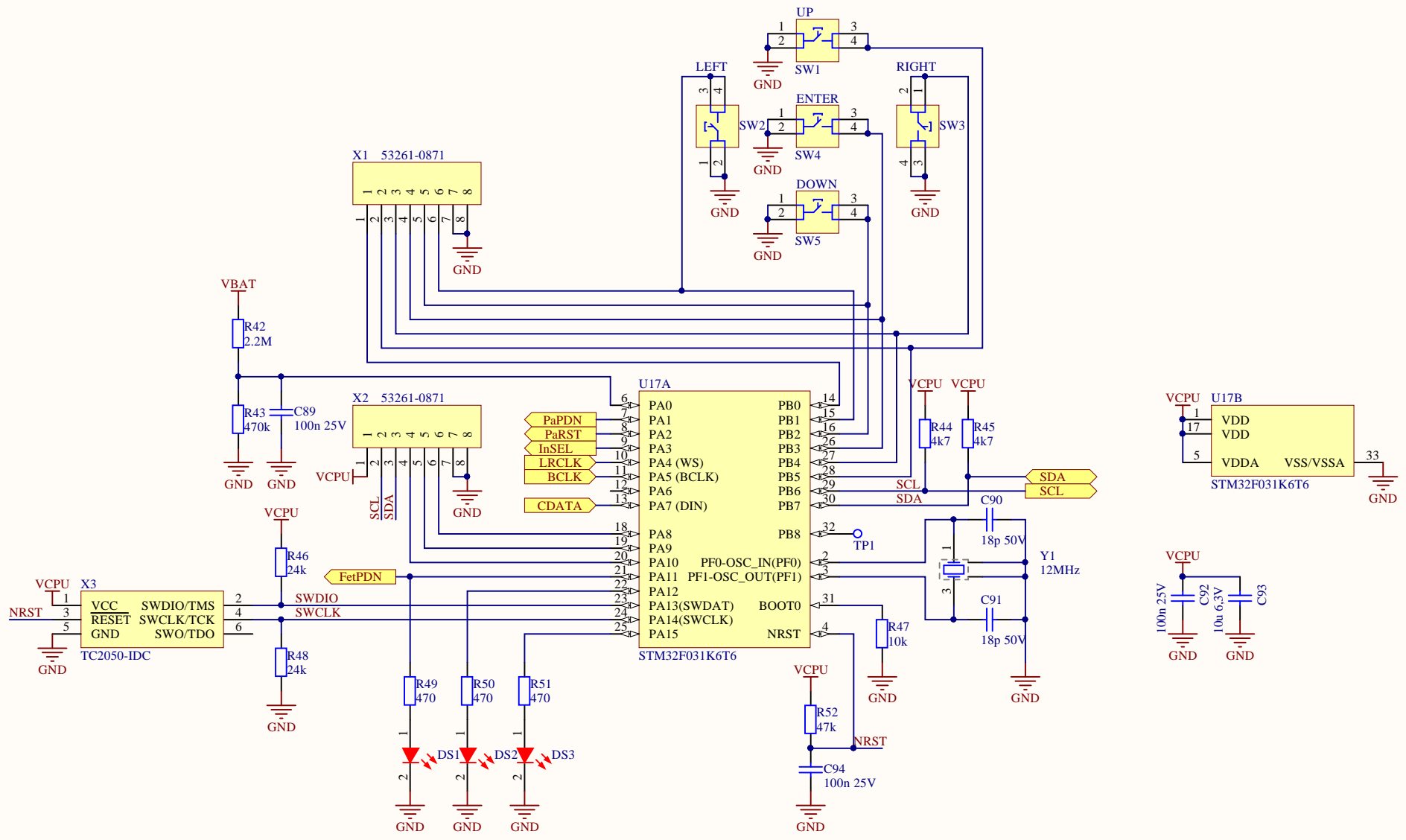
Niklas Fauth

File: D:\Altium\Jammer\pa.SchDoc



Title H Bridge			
Size: A4	Number:	Revision: V1.0	
Date: 29.11.2016	Time: 02:48:22	Sheet 4 of 5	
File: D:\Altium\Jammer\fet.SchDoc			

Niklas Fauth



Title Control			
Size: A4	Number:	Revision: V1.0	
Date: 29.11.2016	Time: 02:48:24	Sheet 5 of 5	
File: D:\Altium\Jammer\cpu.SchDoc			

Niklas Fauth

1

2

3

4

1

2

3

4